



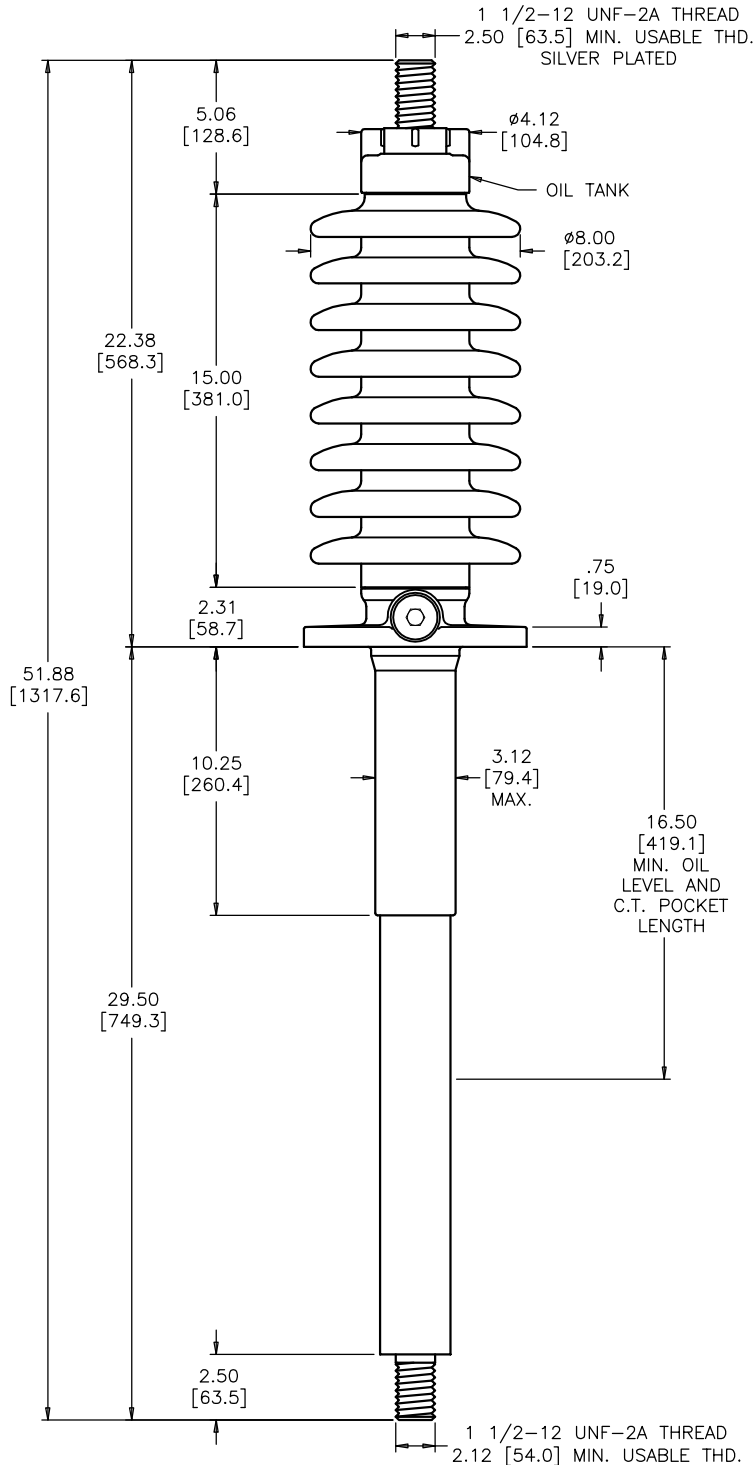
PCORE
ELECTRIC

KV CLASS 34.5 kV	BIL 200 kV	Uy 22 kV
CURRENT RATING		
1200 AMP BOTTOM CONNECTION		
MIN. CREEP 41.00 [1041.4]	MIN. STRIKE 15.00 [381.0]	
CREEP/uy 1.86 [47.3]	STD. IEEE C57.19.00/01	
PCB CONTENT OF OIL IS LESS THAN 1 ppm		

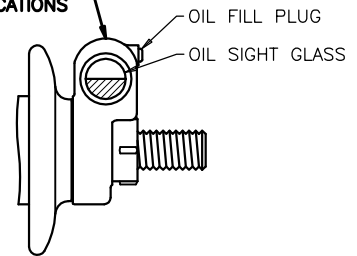
DWG.	CATALOG NUMBER	GLAZE COLOR
SD	B-89311-40	BROWN
SD	B-89311-40-70	LT. GRAY

DATE 5-19-03	REV. DATE 12-27-13
MAXIMUM ALTITUDE 10000 ft [3000 m]	
NET WEIGHT 74 lb [34 kg]	
ANGLE OF INCLINATION FROM THE VERTICAL 0° TO 90°	

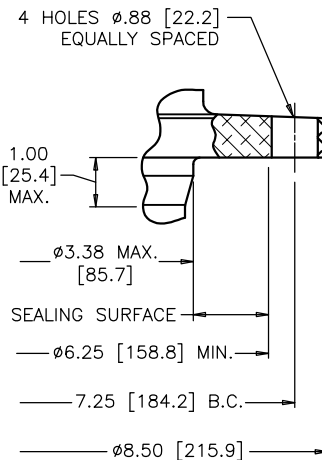
TITLE
PRC BUSHING ASSEMBLY
HORIZONTAL/VERTICAL MOUNTING



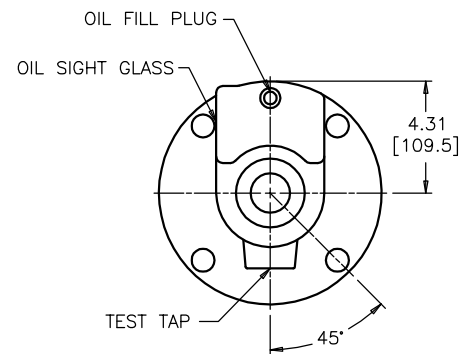
OIL TANK TO BE INSTALLED UP FOR NON-VERTICAL APPLICATIONS



OIL TANK DETAIL SHOWN IN HORIZONTAL MOUNTING POSITION



MOUNTING FLANGE DETAIL



FLANGE ALIGNMENT DIAGRAM TOP VIEW

DIMENSIONS IN INCHES [MILLIMETERS]

REVISION UPDATED FORMAT & OIL TANK DETAIL WAS SHOWN IN VERTICAL POSITION

SCALE 1/5

NOTE TO PURCHASER:
ALL SALES OF PCORE PRODUCTS ARE SUBJECT TO OUR STANDARD TERMS AND CONDITIONS AND THE LIMITED WARRANTIES THEREUNDER